

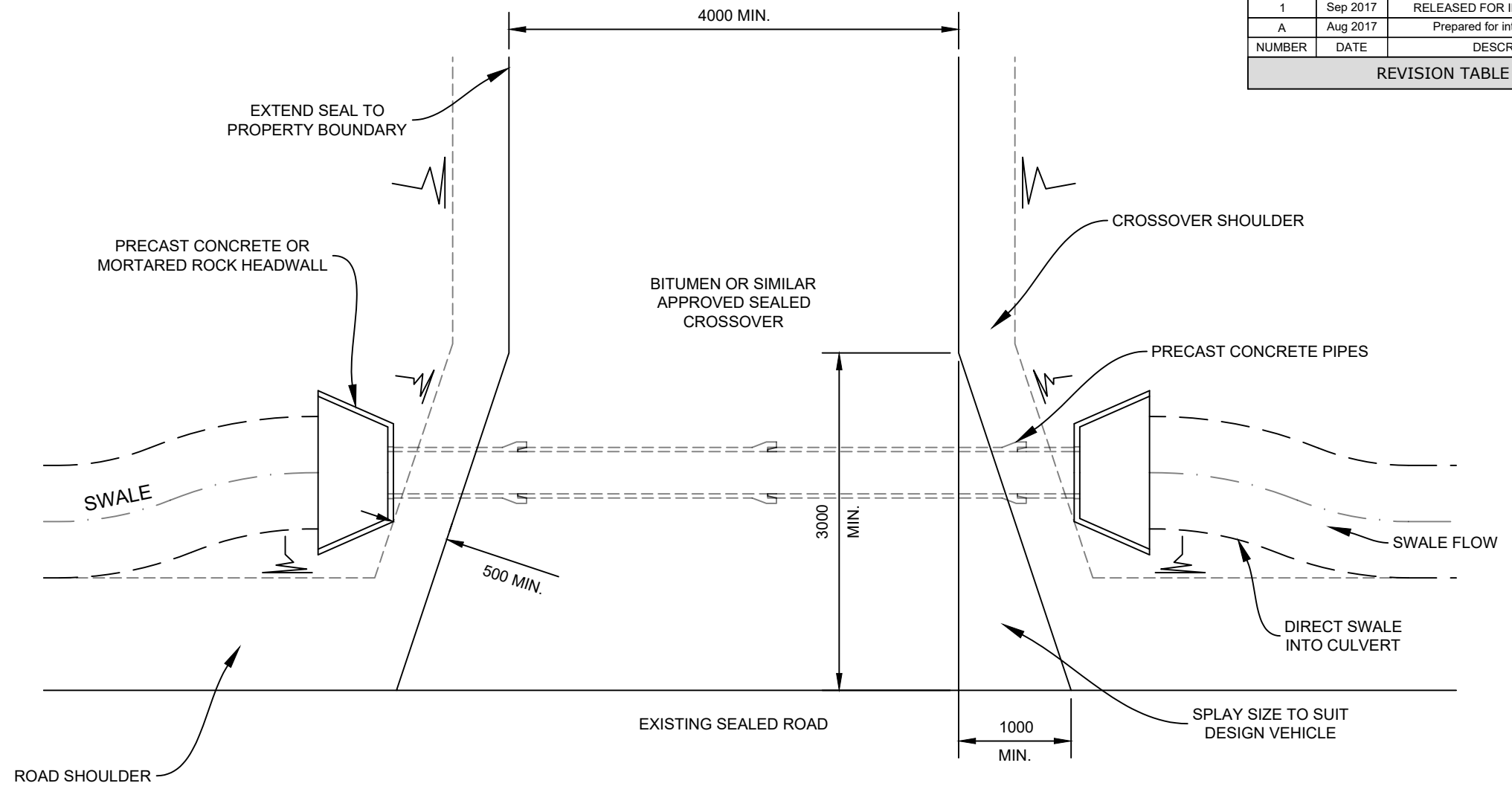
**NOTES**

- 1.) REFER TO CROSSOVER SPECIFICATION FOR GENERAL CROSSOVER REQUIREMENTS.
- 2.) BACK FILL WITH CLEAN FILL, GRAVEL OR TOP SOIL TO SUIT SURROUNDING GROUND LEVEL.
- 3.) CROSSOVER SHALL BE FREE OF ALL TRIP HAZARDS AND BE DRAINED TOWARDS ROAD SURFACE, OR SUITABLY CAPTURED AND MANAGED ON PRIVATE PROPERTY.
- 4.) CROSSOVER MUST BE SET BACK A MINIMUM 500 mm FROM EXISTING SERVICES/VEGETATION.
- 5.) CROSSOVERS SHALL BE GRADED 2.5% UP FROM EDGE OF ROAD TO A POINT NO LESS THAN 2m FROM EDGE OF ROAD. FROM THIS POINT, THE CROSSOVER CAN BE GRADED TO MATCH EXISTING PROPERTY LEVELS.
- 6.) WHERE A ROADSIDE SWALE EXISTS, A PRECAST CONCRETE PIPE CULVERT (OR APPROVED SIMILAR) AND HEADWALL STRUCTURE SHALL BE INSTALLED ON THE SWALE.
- 7.) MINIMUM 300 mm DIAMETER RUBBER RING JOINTED PRECAST CONCRETE PIPES SHALL BE USED.
- 8.) A HEADWALL AT EACH END OF THE CULVERT SHALL BE INSTALLED TO DIRECT FLOW IN AND THROUGH THE CULVERT. HEADWALLS SHALL BE PRECAST CONCRETE OR MORTARED ROCK

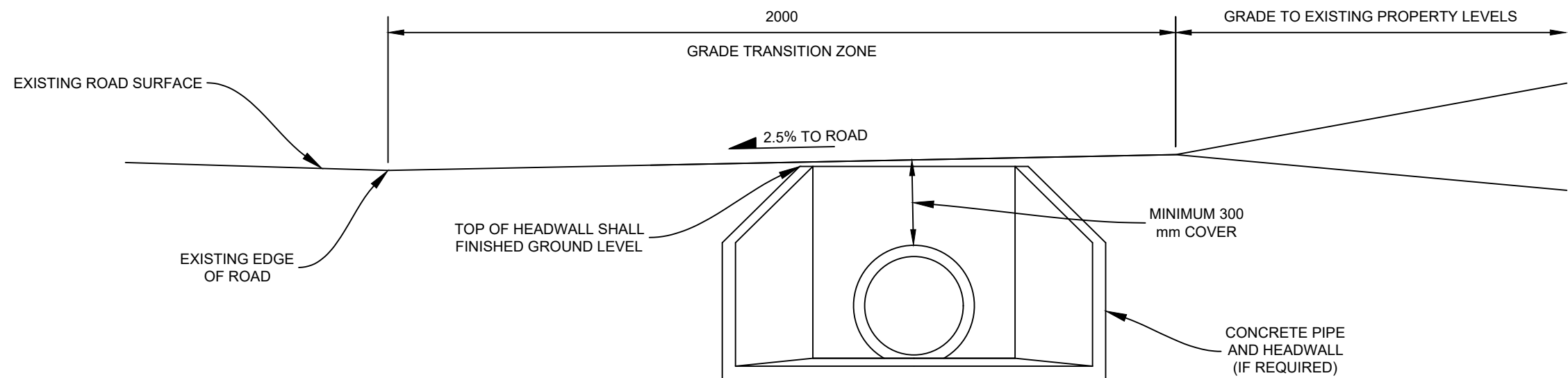
**BITUMEN SPRAY SEALED CROSSOVER**

- 9.) WHERE CROSSOVER MEETS A SEALED ROAD, THE CROSSOVER SHALL BE BITUMEN SPRAY SEALED OR APPROVED SIMILAR. UNSEALED GRAVEL, LIMESTONE OR SAND CROSSOVERS ARE UNACCEPTABLE.
- 10.) MINIMUM 150 mm COMPACTED GRANULAR (GRAVEL OR LIMESTONE) BASE COURSE.
- 11.) BITUMEN SPRAY SEAL SHALL BE DESIGNED BY A SUITABLY QUALIFIED PERSON. TYPICAL SPRAY SEAL CONSISTS OF A TWO COAT BITUMEN APPLICATION WITH 7 mm SEALING AGGREGATE ROLLED IN BETWEEN COATS.

| 1              | Sep 2017 | RELEASED FOR IMPLEMENTATION   |
|----------------|----------|-------------------------------|
| A              | Aug 2017 | Prepared for internal comment |
| NUMBER         | DATE     | DESCRIPTION                   |
| REVISION TABLE |          |                               |



**RURAL RESIDENTIAL CROSSOVER**



**GENERAL CROSSOVER GRADING PLAN**

ALL DIMENSIONS IN MILLIMETRES UNLESS OTHERWISE NOTED.

GUIDELINE DRAWING  
SERIES 200 - CROSSOVERS

|                            |     |            |     |
|----------------------------|-----|------------|-----|
| DRAWN                      | CJY | DESIGNED   | CJY |
| SURVEY                     |     | CHECKED    | JH  |
| INFRASTRUCTURE SERVICES    |     | Orig. Size |     |
| TECHNICAL SERVICES - WORKS |     | A3         |     |



PROJECT TITLE  
**SHIRE OF AUGUSTA MARGARET RIVER  
STANDARD DRAWINGS**

SHEET TITLE  
**RURAL RESIDENTIAL CROSSOVER DETAILS**

|                                    |                |         |
|------------------------------------|----------------|---------|
| SCALE                              | DATE           | REV No. |
| NOT TO SCALE                       | September 2017 | 1       |
| DWG No.<br>RURAL RES CROSSOVER-202 |                |         |